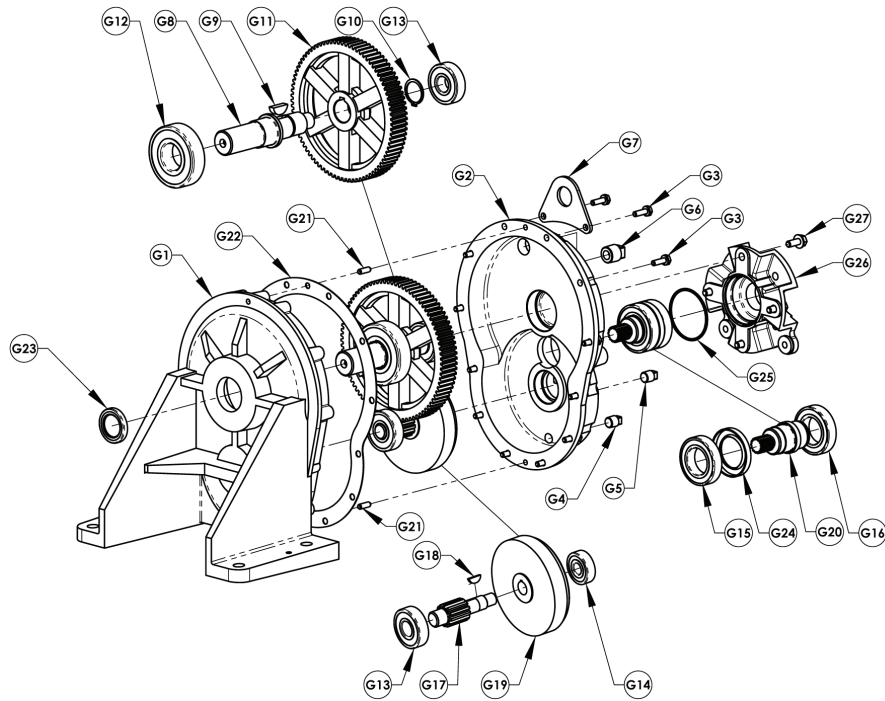


Assembled Pump Repair Parts (Reference Figure A)

| Ref. No. | Description | 3" Engine Driven Pump Part Number | 3" Motor Driven Pump Part Number | 2" Engine Driven Pump Part Number | 2" Motor Driven Pump Part Number | Qty |
|----------|--|-----------------------------------|----------------------------------|-----------------------------------|----------------------------------|-------------------------------|
| A1 | Gearbox assembly | Ref Page 8 | Ref Page 8 | Ref Page 8 | Ref Page 8 | 1 |
| A2 | Plunger/diaphragm assembly | Ref Page 9 | Ref Page 9 | Ref Page 9 | Ref Page 9 | 1 |
| A3 | Well assembly | Ref Page 10 | Ref Page 10 | Ref Page 10 | Ref Page 10 | 1 |
| A4 | Plunger guard | 3354-103-00 | 3354-103-00 | 3354-103-00 | 3354-103-00 | 1 |
| A5 | ¼-20X1/2 Plastic knob | 1716-010-00 | 1716-010-00 | 1716-010-00 | 1716-010-00 | 2 |
| A6 | ½-13x1-1/2 Hex head cap screw | 1766-013-00 | 1766-013-00 | 1766-013-00 | 1766-013-00 | 2 (3" Version) 4 (2" Version) |
| A6 | ½-13x2-1/4 Hex head cap screw | 1766-016-00 | 1766-016-00 | N/A | N/A | 2 |
| A7 | ½ Lock washer | 1798-001-00 | 1798-001-00 | 1798-001-00 | 1798-001-00 | 4 |
| A8 | Base | 3354-001-01 | 3354-001-01 | 3360-020-01 | 3360-020-01 | 1 |
| A9 | ½-13x2-3/4 Hex head bolt grade-5 | 1766-018-00 | 1766-018-00 | N/A | N/A | 2 |
| A9 | ½-13x2-1/4 Hex head bolt grade-5 | N/A | N/A | 1766-016-00 | 1766-016-00 | 2 |
| A10 | ½-13x2-1/4 Hex head bolt grade-5 | 1766-016-00 | 1766-016-00 | 1766-016-00 | 1766-016-00 | 2 |
| A11 | ½ Flat washer | 1798-002-00 | 1798-002-00 | 1798-002-00 | 1798-002-00 | 4 |
| A12 | ½ Lock washer | 1798-001-00 | 1798-001-00 | 1798-001-00 | 1798-001-00 | 4 |
| A13 | ½-13 Hex nut | 1782-002-00 | 1782-002-00 | 1782-002-00 | 1782-002-00 | 4 |
| A14 | ½-13 Hex jam nut | 1782-001-00 | 1782-001-00 | N/A | N/A | 2 |
| A15 | Mount brace | 3354-107-00 | 3354-107-00 | 3354-107-00 | 3354-107-00 | 2 |
| A16 | Engine Mount | 3354-108-00 | 3354-108-00 | 3354-108-00 | 3354-108-00 | 1 |
| A16 | Engine Mount Kit for Hatz (incl. 2 brackets) | 335Z-101-90 | N/A | 335Z-101-90 | N/A | 1 |
| A17 | Wheel bracket | 3354-109-00 | 3354-109-00 | 3354-109-00 | 3354-109-00 | 2 |
| A18 | Wheel | 1663-000-00 | 1663-000-00 | 1663-000-00 | 1663-000-00 | 2 |
| A19 | 5/8-11x4 Hex head bolt | 1769-000-00 | 1769-000-00 | 1759-000-00 | 1769-000-00 | 2 |
| A20 | 5/8 Flat washer | 1799-000-00 | 1799-000-00 | 1799-000-00 | 1799-000-00 | 2 |
| A21 | 5/8-11 Hex nut | 1782-020-00 | 1782-020-00 | 1782-020-00 | 1782-020-00 | 2 |
| A22 | 5/16-18x3/4 Hex flange screw | 1745-002-00 | 1745-002-00 | 1745-002-00 | 1745-002-00 | 4 |
| A23 | ¼-20x3 Hex head bolt | 1734-013-00 | 1734-013-00 | 1734-013-00 | 1734-013-00 | 2 |
| A24 | ¼ Flat washer | 1789-000-00 | 1789-000-00 | 1789-000-00 | 1789-000-00 | 2 |
| A25 | ¼-20 Hex nut | 1776-000-00 | 1776-000-00 | 1776-000-00 | 1776-000-00 | 2 |
| A26 | 3/16 Square key | 1517-001-00 | 1517-001-00 | 1517-001-00 | 1517-001-00 | 1 |
| A27 | 5/16-24x1 Hex flange screw | 1753-000-00 | N/A | 1753-000-00 | N/A | 4 |
| A27 | 3/8-16X1-1/4 Hex head cap screw | N/A | 1757-000-00 | N/A | 1757-000-00 | 4 |
| A28 | Engine ¾ keyed PTO | See chart | N/A | See Chart | N/A | 1 |
| A29 | 5/16-18x1-1/2 Hex head bolt | 1748-000-00 | N/A | 1748-000-00 | N/A | 4 |
| A30 | 5/16 Flat washer | 1790-000-00 | N/A | 1790-000-00 | N/A | 4 |
| A31 | 5/16-18 Hex nut | 1785-000-00 | N/A | 1785-000-00 | N/A | 4 |
| A32 | Motor | N/A | 1626-095-00 | N/A | 1626-095-00 | 1 |
| A33 | Cord assembly | N/A | 3350-352-90 | N/A | 3350-352-90 | 1 |
| A34 | Switch assembly (not shown) | N/A | 3350-351-90 | N/A | 3350-351-90 | 1 |
| A35 | Handle (not shown) | 2152-000-00 | 2152-000-00 | 2152-000-00 | 2152-000-00 | 1 |
| A36 | Nipple pack (2 NPT nipples) | 3270-170-00 | 3270-170-00 | 3160-170-00 | 3160-170-00 | 1 |

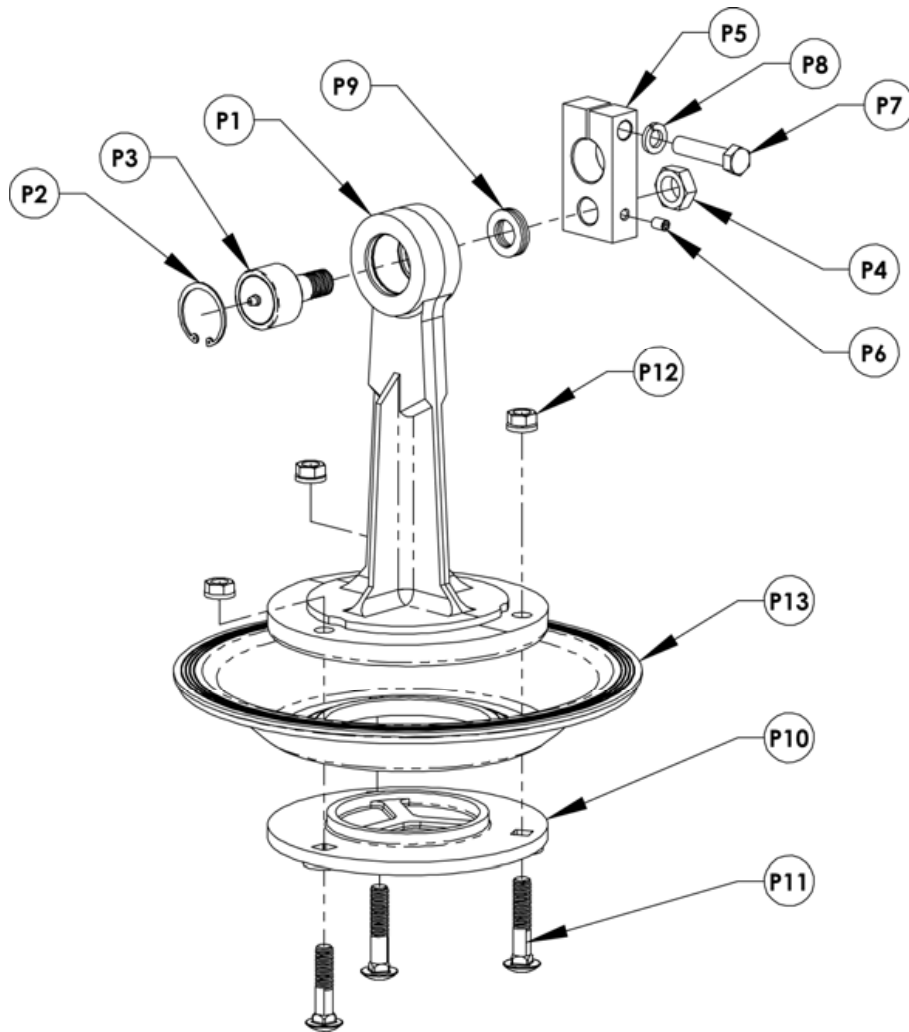
Engine Chart

| Ref No. | Description | 3" or 2" Diaphragm Pump Models Part Number |
|---------|---|--|
| A28 | Honda GX120UT1QX2 | 1630-007-00 |
| A28 | Honda GX160UT1QX2 | 1639-017-00 |
| A28 | Briggs & Stratton CP550 or Vanguard 5.5 | 1639-047-00 |
| A28 | HATZ 1B20 | 1630-021-00 |



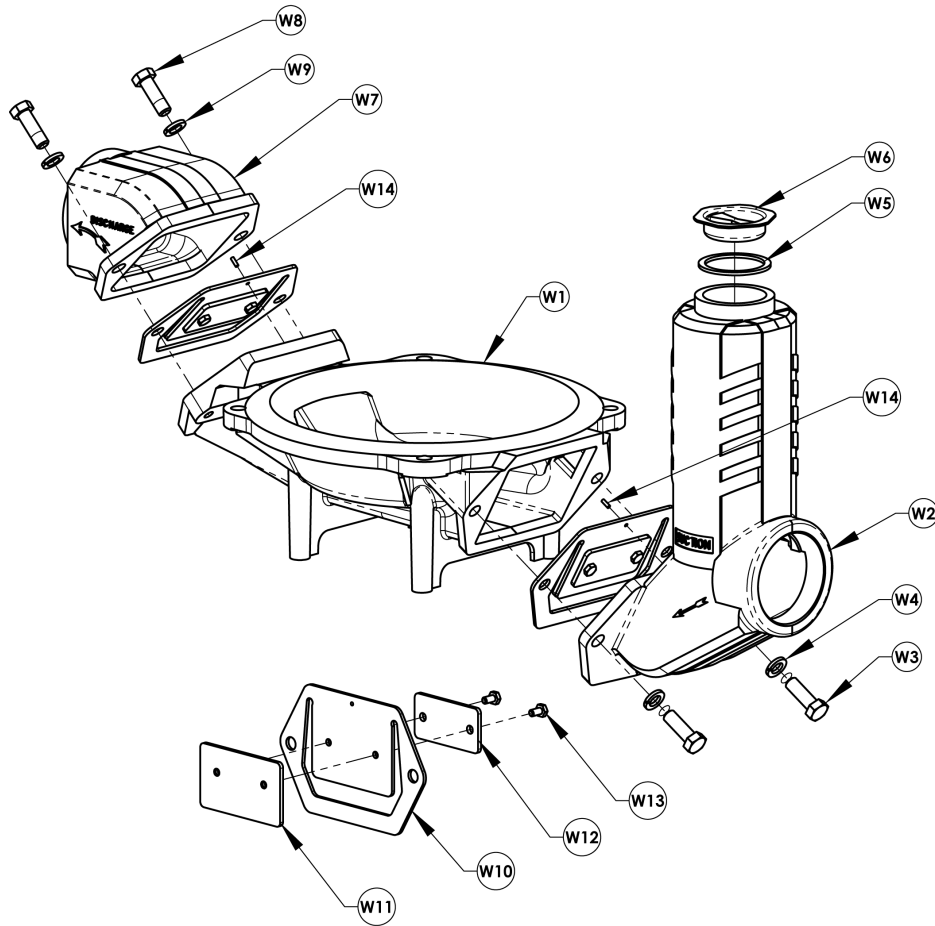
Gearbox Repair Parts List (Reference Figure G)

| Ref. No. | Description | 3" PUMPS | | 2" PUMPS | |
|----------|--|-------------|-----|-------------|-----|
| | | Part Number | Qty | Part Number | Qty |
| G1 | Gearbox output half | 3354-090-01 | 1 | 3354-090-01 | 1 |
| G2 | Gearbox input half | 3354-091-01 | 1 | 3354-091-01 | 1 |
| G3 | 1/4-20x7/8" Screws and Washer Kit (12 each) | 3354-420-90 | 1 | 3354-420-90 | 1 |
| G4 | 1/4 NPT plug (drain) (kit includes 1) | 1767-002-00 | 1 | 1767-002-00 | 1 |
| G5 | 1/4 NPT plug (oil level) (kit includes 1) | 1767-002-00 | 1 | 1767-002-00 | 1 |
| G6 | 1/2 NPT vented plug (fill) (kit includes 1) | 1767-001-00 | 1 | 1767-002-00 | 1 |
| G7 | Lift Bracket | 3354-106-00 | 1 | 3354-106-00 | 1 |
| G8 | Output shaft | 3354-140-00 | 1 | 3354-140-01 | 1 |
| G9 | Woodruf key #1008 | 2141-000-00 | 1 | 2141-000-00 | 1 |
| G10 | External retaining ring SH-112 | 1806-064-00 | 1 | 1806-064-00 | 1 |
| G11 | Output gear | 3354-120-00 | 1 | 3354-120-00 | 1 |
| G12 | Bearing –open- 35x80x21 #6307 JEM | 3354-190-00 | 1 | 3354-190-00 | 1 |
| G13 | Bearing –open- 20x52x15 #6304 JEM | 3354-191-00 | 2 | 3354-191-00 | 2 |
| G14 | Bearing –open- 15x42x13 #6302 JEM | 3354-192-00 | 1 | 3354-192-00 | 1 |
| G15 | Bearing –open- 35x62x14 #6007 JEM | 3354-194-00 | 1 | 3354-194-00 | 1 |
| G16 | Bearing –sealed- 35x62x14 #6007 2RSJEM | 3354-193-00 | 1 | 3354-193-00 | 1 |
| G17 | Idler pinion shaft | 3354-121-00 | 1 | 3354-121-00 | 1 |
| G18 | Woodruf key #406 | 2157-000-00 | 1 | 2157-000-00 | 1 |
| G19 | Internal spur gear | 2149-000-00 | 1 | 2149-000-00 | 1 |
| G20 | Input pinion (3/4 keyed engine) | 3354-122-00 | 1 | 3354-122-00 | 1 |
| G20 | Input pinion (5/8 keyed 56C motor) | 3354-123-00 | 1 | 3354-123-00 | 1 |
| G21 | 1/4x1 Dowel pin | 1717-002-00 | 1 | 1717-002-00 | 1 |
| G22 | Gasket | 3354-300-00 | 1 | 3354-300-00 | 1 |
| G23 | Oil lip seal 1.25x1.75x0.25 | 2148-000-00 | 1 | 2148-000-00 | 1 |
| G24 | Oil lip seal 40x62x8 | 2148-001-00 | 1 | 2148-001-00 | 1 |
| G25 | #143 O-ring –Buna | 2181-005-00 | 1 | 2181-005-00 | 1 |
| G26 | Adapter (engine) | 3354-093-01 | 1 | 3354-093-01 | 1 |
| G26 | Adapter (56C motor) | 3354-092-01 | 1 | 3354-092-01 | 1 |
| G27 | 5/16-18x3/4 Hex flange screw | 1745-002-00 | 4 | 1745-002-00 | 1 |
| G28 | Assembled Gear Box for Gas Engine Models (Includes Ref #'s G1 to G24) | 3354-402-90 | 1 | 3354-402-90 | 1 |
| G28 | Assembled Gear Box for Electric Models (Includes Ref #'s G1 to G24) | 3354-403-90 | 1 | 3354-403-90 | 1 |



Plunger Assembly Repair Parts (Reference Figure P)

| Ref. No. | Description | 3" PUMPS | | 2" PUMPS | |
|----------|---|----------------|------|----------------|------|
| | | Part Number | Qty. | Part Number | Qty. |
| P1 | Plunger | 2134-000-01 | 1 | 3360-090-01 | 1 |
| P2 | Retaining ring | 3350-190-00 | 1 | 3360-191-00 | 1 |
| P3 | Plunger bearing (Incl. Ref. P4) | 2138-000-90 | 1 | 3360-190-90 | 1 |
| P4 | Bearing lock nut | Incl.w/ Ref P3 | 1 | Incl.w/ Ref P3 | 1 |
| P5 | Crank Assembly Kit (Incl. Ref. P6,P7,P8,P9) | 2140-000-90 | 1 | 3360-094-90 | 1 |
| P6 | 5/16-18x1/2 Socket set screw | Incl.w/ Ref P5 | 1 | Incl.w/ Ref P5 | 1 |
| P7 | 1/2-13 Hex head cap screw grade-5 | Incl.w/ Ref P5 | 1 | Incl.w/ Ref P5 | 1 |
| P8 | 1/2 Lock washer | Incl.w/ Ref P5 | 1 | Incl.w/ Ref P5 | 1 |
| P9 | Bearing shim | Incl.w/ Ref P5 | 2 | Incl.w/ Ref P5 | 1 |
| P10 | Diaphragm retaining plate | 2133-000-00 | 1 | 3360-092-00 | 1 |
| P11 | Carriage Bolt Kit (Contains 3) | 3350-011-90 | 1 | 3360-011-90 | 1 |
| P12 | 1/2-13 Hex nut | 1782-001-00 | 3 | N/A | - |
| P12 | 3/8-16 Hex nut | N/A | - | 1780-000-00 | 3 |
| P13 | Diaphragm (Santoprene) | 2132-000-00 | 1 | 3360-300-00 | 1 |



Well Assembly Repair Parts (Reference Figure W)

| Ref. No. | Description | 3" PUMPS Part Number | Qty | 2" PUMPS Part Number | Qty |
|----------|---|----------------------|-----|----------------------|-----|
| W1 | Well | 2120-000-01 | 1 | 3360-001-01 | 1 |
| W2 | Suction plate | 2123-000-01 | 1 | 3360-050-01 | 1 |
| W3 | 1/2-13x1-1/2 Hex head cap screw grade-5 | 1766-013-00 | 2 | N/A | - |
| W3 | 3/8-16x1-1/2 Hex head cap screw grade-5 | N/A | - | 1759-001-00 | 2 |
| W4 | 1/2 Lock washer | 1798-001-00 | 2 | N/A | - |
| W4 | 3/8 Lock washer | N/A | - | 1793-001-00 | 2 |
| W5 | Gasket | 2125-000-00 | 1 | 2125-000-00 | 1 |
| W6 | Cap | 2124-000-00 | 1 | 2124-000-00 | 1 |
| W7 | Discharge plate | 2131-000-01 | 1 | 3360-052-01 | 1 |
| W8 | 1/2-13x1-1/2 Hex head cap screw grade-5 | 1766-013-00 | 2 | N/A | - |
| W8 | 3/8-16x1-1/2 Hex head cap screw grade-5 | N/A | - | 1759-001-00 | 2 |
| W9 | 1/2 Lock washer | 1798-001-00 | 2 | N/A | - |
| W9 | 3/8 Lock washer | N/A | - | 1793-001-00 | 2 |
| W10 | Check valve (neoprene) | see Ref. W15 | 2 | see Ref. W15 | 2 |
| W11 | Check valve weight top | see Ref. W15 | 2 | see Ref. W15 | 2 |
| W12 | Check valve weight bottom | see Ref. W15 | 2 | see Ref. W15 | 2 |
| W13 | 1/4-20x1/2 Hex head cap screw | see Ref. W15 | 4 | see Ref. W15 | 4 |
| W14 | 1/8 diameter x 3/8 Pin | 2121-000-00 | 2 | 2121-000-00 | 2 |
| W15 | Flapper Valve Assembly Kit (Includes Ref # W10,W11,W12, W13) | 3354-071-90 | 2 | 3360-070-90 | 2 |
| W16 | Suction Strainer (not shown) | 1680-000-01 | 1 | C230-170-00 | 1 |